

# Integrated AC Module



## Integrated system design

Modular design of solar system, convenient installation, lower BOS cost. Each unit operates independently, unrestricted installation angle, more capacity on complex roofs



## High system generation

Integrated system solution, perfect match between module and inverter, higher system efficiency. Module-level MPPT, greatly improve power generation of PV system



## Innovative module technology

1/3 cut low current module, less heat loss, better low light performance, system generation increased by around 3%. Global patented full-screen module, decrease 6-15% power loss caused by dust accumulation



## Leading inverter technology

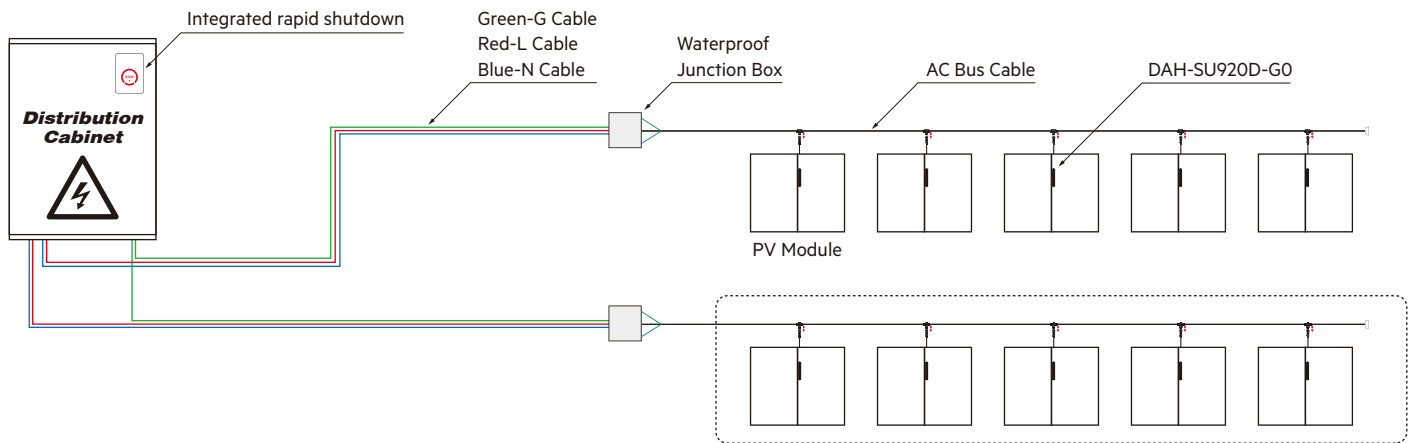
Innovative contravariant scheme due to perfect match with low current module, peak efficiency above 97.2%. Latest semiconductor technology, higher conversion efficiency, smaller inverter size, less self consumption



## Improved safety assurance

Lower risk of arcing due to lower system current, greatly reduce safety hazards  
Remote monitoring and rapid shutdown through Intelligent cloud platform

# System Application



## Configuration list

<b>SYSTEM LAYOUT</b>	DHN-SU920D-GO	DHN-SU1K5-GO
Max. Units	5units	5units
Recommended PV Module Power (STC) Range	550W/500W/460W (optional)	550W/500W/460W (optional)
Maximum input short circuit current	28A/1pcs (Current carrying optional)	40A/1pcs (Current carrying optional)
<b>DATA</b>		
Max. Output Power	920VA	1500VA
Grid Voltage	230V/220V(180V-270V), L+N+PE	230V/220V(180V-270V), L+N+PE
Output Frequency Range	50/60Hz±5Hz	50/60Hz±5Hz
Output Current	4.6A	6.82A
Power Factor(Default/Adjustable)	0.9leading...0.9lagging	0.9leading...0.9lagging
Output Current Total Harmonic Distortion	< 2%	< 2%
Peak Efficiency	97.20%	97.48%
CEC Weighted Efficiency	97.05%	97.16%
MPPT Efficiency	> 99.95%	> 99.95%
Night Power Consumption	0W	0W
<b>FEATURES</b>		
Operating Ambient Temperature Range	-40°C ~ +60°C	-40°C ~ +60°C
Storage Temperature Range	-40°C ~ +85°C	-40°C ~ +85°C
Protection	IP65	IP65
Cooling	Natural Cooling	Natural Cooling
Microinverter Size (H x W x D)	412mm×97mm×42.5mm	412mm×97mm×42.5mm
Microinverter Weight	1.8kg	1.8kg
System Size (H x W x D)	1903×1134×32mm (X2) 2279×1134×32mm (X2)	1903×1134×32mm (X3) 2279×1134×32mm (X3)
System Weight	49.8kg/59.8kg	73.8kg/88.8kg
Noise	< 10db	< 10db
Communication	Wifi/PLC	Wifi/PLC
Operational Platform	DAH Smart Cloud Platform	DAH Smart Cloud Platform
System Integration	Integration of System and Module	Integration of System and Module
Warranty	10yrs	10yrs
Certificates	ABNT NBR 16150 IEC/EN 62109-1/-2 IEC/EN 61000-6-1/-2/-3/-4 IEC/EN 61000-3-2/-3	ABNT NBR 16150 IEC/EN 62109-1/-2 IEC/EN 61000-6-1/-2/-3/-4 IEC/EN 61000-3-2/-3